

BLASTER FLOOD LED LIGHT

LF100BZ-110-277 BLASTER FLOOD LED LIGHT, 100-WATT, BRONZE

SPECIFICATIONS

Maximum Lumens	13,200
Input Voltage (VAC)	110-277V
Input Current Amp (@ 110V)	0.93
Input Power (W)	99.37
Input Power Factor	0.98
Efficacy	132.83
Color Rendering Index (CRI)	72
Correlated Color Temperature (CCT)	5000K

CHARACTERISTICS

Maximum Candela	10,087.88
Maximum Candela Angle	C=240.0 γ=15.0
Horizontal Beam Angle (50%)	85.5
Vertical Beam Angle (50%)	68.6
Horizontal Field Angle (10%)	127.4
Vertical Field Angle (10%)	102.6
Total Luminaire Watts	98.49

LUMENS=13,200

REPLACES: 320W MH LAMP

RATED LIFE = 50k + Hours

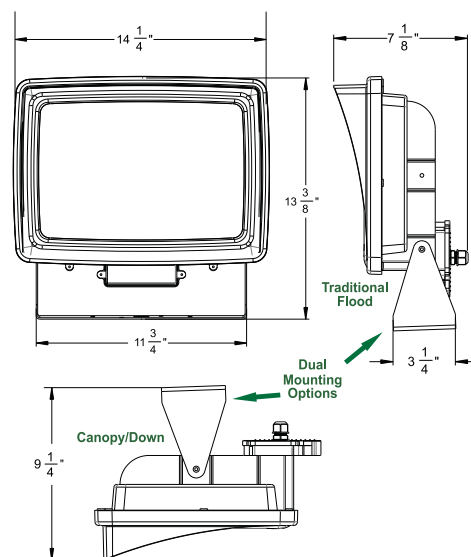
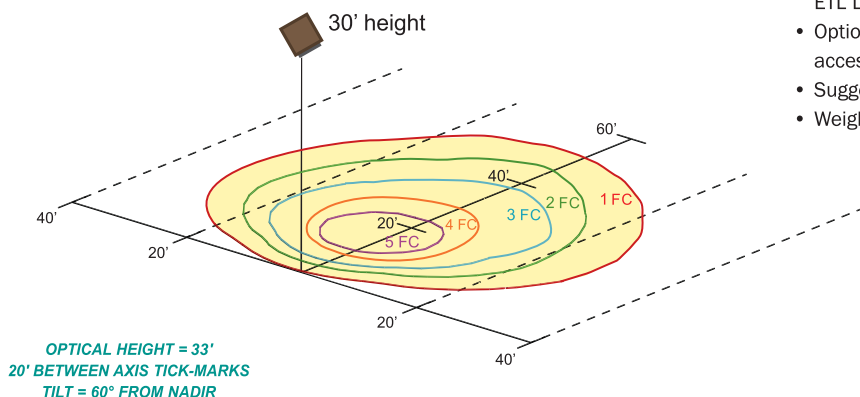


**NICHIA
LED INSIDE**

**MW
MEAN WELL
DRIVER INSIDE**

FEATURES

- Replaces: 320 Watt Metal Halide fixture in Flood and/or Downlight applications
- Dual trunnion mount for traditional Flood applications or as canopy/down light/high bay
- Crisp cool white, low draw, energy efficient light, best for security cameras and visual clarity
- Long life 50,000+ hours LED's to reduce maintenance cost/replacements
- UV-Stable, high impact, vibration and shock resistant tempered glass lens
- Powder coated, heat sink cast aluminum housing with steel 180° swivel universal mounting bracket
- Silicone seals for durability and wide-range LED operating temperature +120F to -20F
- Chromatically stable 5000K, LM 80 Tested, ETL Listed IP-65 wet location (non-submersive)
- Optional: Rock Guard, Slip Fitter and wide range mounting accessories available.
- Suggested Mounting Height: 25' - 35'
- Weight: 15 lbs.



The following shows the cost of illuminating this fixture an average of 12 hours a day for 365 days a year.

100 Watt x 4,380 YKWH x \$.09/KWH
1,000

\$39.42
Yearly Operating Cost
per fixture

Flood Light
Downlight
Pole Light
Up Light
Wall Pack
High Box
Canopy Light

APPLICATION

**ACCESSORIES
AVAILABLE**
on pages 14-15



*non-submersible