

# BLASTER FLOOD LED LIGHT

## LF130BZ-110-277 BLASTER FLOOD LED LIGHT, 130-WATT, BRONZE



**LUMENS=17,200**

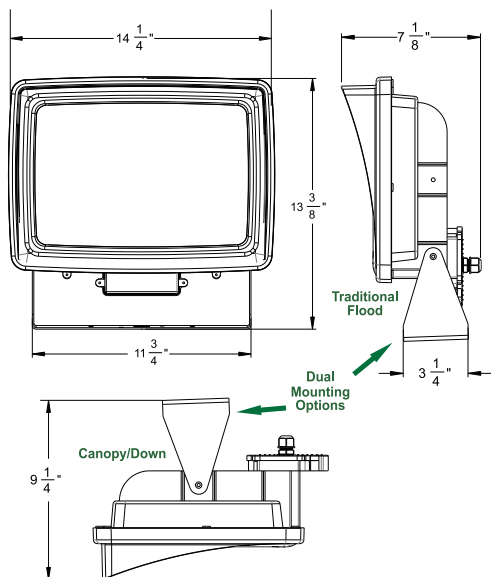
**REPLACES: 400W MH LAMP**

**RATED LIFE = 50k+ Hours**

### FEATURES



- Replaces: 400 Watt Metal Halide fixture in Flood and/or Downlight applications
- Dual trunnion mount for traditional Flood applications or as canopy/down light/high bay
- Crisp cool white, low draw, energy efficient light, best for security cameras and visual clarity
- Long life 50,000+ hours LED's to reduce maintenance cost/replacements
- UV-Stable, high impact, vibration and shock resistant tempered glass lens
- Powder coated, heat sink cast aluminum housing with steel 180° swivel universal mounting bracket
- Silicone seals for durability and wide-range LED operating temperature +120F to -20F
- Chromatically stable 5700K, LM 80 Tested, ETL Listed IP-65 wet location (non-submersive)
- Optional: Rock Guard, Slip Fitter and wide range mounting accessories available.
- Suggested Mounting Height: 35' - 40'
- Weight: 16 lbs.

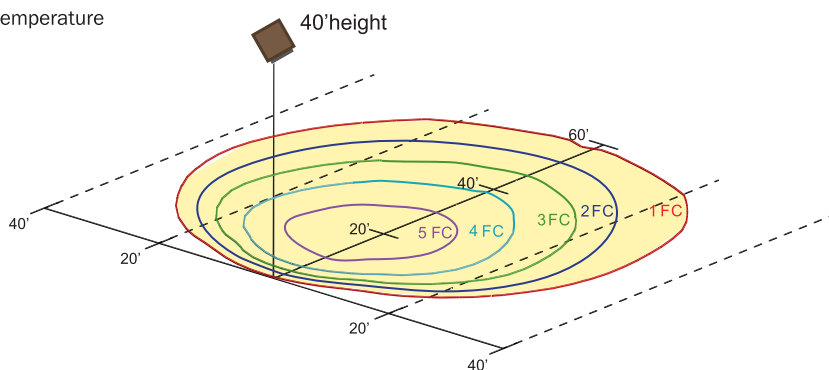


### SPECIFICATIONS

Maximum Lumens	17,200
Input Voltage (VAC)	110-277V
Input Current Amp (@ 110V)	1.24
Input Power (W)	129.91
Input Power Factor	0.99
Efficacy	132.4
Color Rendering Index (CRI)	72
Correlated Color Temperature (CCT)	5000K

### CHARACTERISTICS

Maximum Candela	12,535.32
Maximum Candela Angle	C=60.0 γ=10.0
Horizontal Beam Angle (50%)	86.1
Vertical Beam Angle (50%)	68.2
Horizontal Field Angle (10%)	126.1
Vertical Field Angle (10%)	102.3
Total Luminaire Watts	129.91



OPTICAL HEIGHT = 40'  
20' BETWEEN AXIS TICK-MARKS  
TILT = 60° FROM NADIR

### APPLICATION

- Flood Light
- Downlight
- Pole Light
- Up Light
- Wall Pack
- High Box
- Canopy Light

The following shows the cost of illuminating this fixture an average of 12 hours a day for 365 days a year.

130 Watt x 4,380 YKWH x \$,09/KWH  
1,000

**\$51.25**

Yearly Operating Cost per fixture



\*non-submersible



**ACCESSORIES AVAILABLE**  
on pages 14-15



For additional product information visit Lumateq.com • Call or email your order to 1.855.LUMATEQ (586-2837) / Email sales@lumateq.com