

BLASTER FLOOD LED LIGHT

LF160BZ-110-277 BLASTER FLOOD LED LIGHT, 160-WATT, BRONZE

SPECIFICATIONS

Maximum Lumens	20,733
Input Voltage (VAC)	110-277V
Input Current Amp (@ 110V)	1.36
Input Power (W)	156.13
Input Power Factor	0.99
Efficacy	132.8
Color Rendering Index (CRI)	72
Correlated Color Temperature (CCT)	5000K

CHARACTERISTICS

Maximum Candela	14,744.68
Maximum Candela Angle	C=90.0 γ =10.0
Horizontal Beam Angle (50%)	81.3
Vertical Beam Angle (50%)	67.2
Horizontal Field Angle (10%)	125.9
Vertical Field Angle (10%)	98.8
Total Luminaire Watts	162.58

LUMENS=20,700

REPLACES: 400W MH LAMP

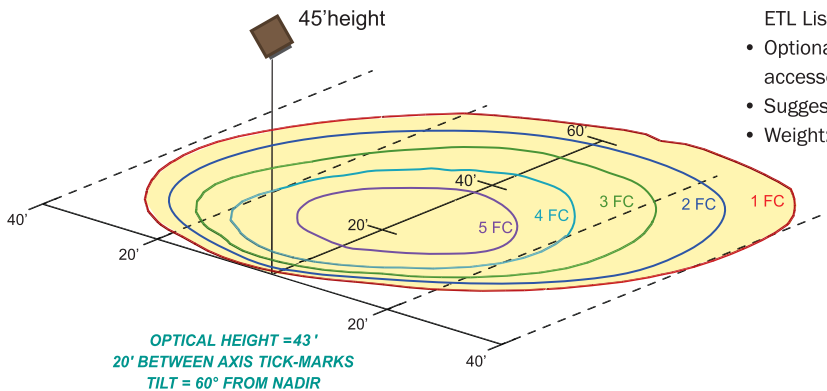
RATED LIFE = 50k + Hours



FEATURES



- Replaces: 400 Watt Metal Halide fixture in Flood and/or Downlight applications
- Dual trunnion mount for traditional Flood applications or as canopy/down light/high bay
- Crisp cool white, low draw, energy efficient light, best for security cameras and visual clarity
- Long life 50,000+ hours LED's to reduce maintenance cost/replacements
- UV-Stable, high impact, vibration and shock resistant tempered glass lens
- Powder coated, heat sink cast aluminum housing with steel 180° swivel universal mounting bracket
- Silicone seals for durability and wide-range LED operating temperature +120F to -20F
- Chromatically stable 5000K, LM 80 Tested, ETL Listed IP-65 wet location (non-submersive)
- Optional: Rock Guard, Slip Fitter and wide range mounting accessories available.
- Suggested Mounting Height: 40' - 45'
- Weight: 16 lbs.



The following shows the cost of illuminating this fixture an average of 12 hours a day for 365 days a year.

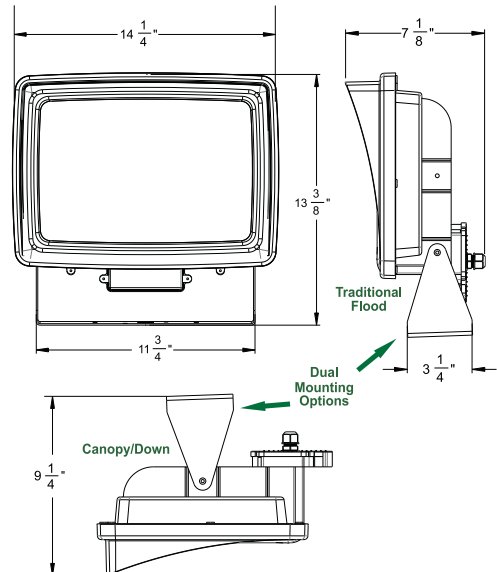
$$\frac{160 \text{ Watt} \times 4,380 \text{ YKWH} \times \$.09/\text{KWH}}{1,000}$$

\$63.07

Yearly Operating Cost per fixture

Flood Light
Downlight
Pole Light
Up Light
Wall Pack
High Box
Canopy Light

APPLICATION



ACCESSORIES AVAILABLE
on pages 14-15



*non-submersible