

# BLASTER FLOOD LED LIGHT

## LF56BZ-110-277 BLASTER FLOOD LED LIGHT, 56-WATT, BRONZE



**LUMENS=7,000**

**REPLACES: 250W+ MH LAMP**

**RATED LIFE = 50k+ Hours**



### FEATURES

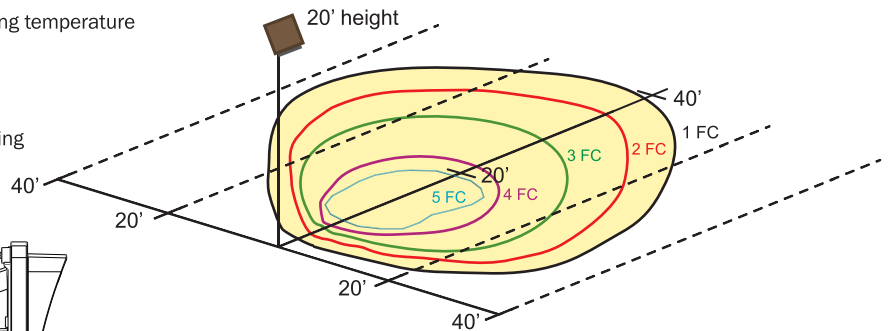
- Replaces: 250+ Watt Metal Halide fixture in Flood and/or Downlight applications
- Dual trunnion mount for traditional Flood applications or as canopy/down light/high bay
- Crisp cool white, low draw, energy efficient light, best for security cameras and visual clarity
- Long life 50,000+ hours LED's to reduce maintenance cost/replacements
- UV-Stable, high impact, vibration and shock resistant tempered glass lens
- Powder coated, heat sink cast aluminum housing with steel 180° swivel universal mounting bracket
- Silicone seals for durability and wide-range LED operating temperature +120F to -20F
- Chromatically stable 5000K, LM 80 Tested, ETL Listed IP-65 wet location (non-submersive)
- Optional: Rock Guard, Slip Fitter and wide range mounting accessories available.
- Suggested Mounting Height: 15' - 20'
- Weight: 4.5 lbs.

### SPECIFICATIONS

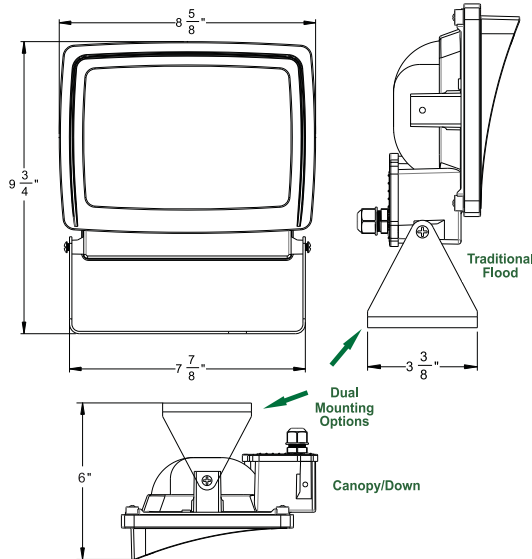
Maximum Lumens	6,954
Input Voltage (VAC)	110-277V
Input Current Amp (@ 110V)	.54
Input Power (W)	52.98
Input Power Factor	0.98
Efficacy	131.25
Color Rendering Index (CRI)	72
Correlated Color Temperature (CCT)	5000K

### CHARACTERISTICS

Maximum Candela	4,868.73
Maximum Candela Angle	C=180.0 γ=0.0
Horizontal Beam Angle (50%)	87.9
Vertical Beam Angle (50%)	68.9
Horizontal Field Angle (10%)	127.9
Vertical Field Angle (10%)	104.5
Total Luminaire Watts	56.17



OPTICAL HEIGHT = 20'  
20' BETWEEN AXIS TICK-MARKS  
TILT = 60° FROM NADIR



### APPLICATION

- Flood Light
- Downlight
- Pole Light
- Up Light
- Wall Pack
- High Box
- Canopy Light

The following shows the cost of illuminating this fixture an average of 12 hours a day for 365 days a year.

56 Watt x 4,380 YKWH x \$.09/KWH  
1,000

**\$22.08**

Yearly Operating Cost per fixture



\*non-submersible



**ACCESSORIES AVAILABLE**  
on pages 14-15



For additional product information visit Lumateq.com • Call or email your order to 1.855.LUMATEQ (586-2837) / Email sales@lumateq.com