

# LUMATEQ

## INSTRUCTIONS / WARRANTY

### LED Wall Pack Full (LW40, LW52, LW96)



#### Preparation

Before beginning assembly, installation or operation of product, make sure all parts are present. Compare parts with the package contents list and diagram. If any part is missing or damaged, do not attempt to assemble, install or operate the product. Contact customer service at 855.586.2837.



**Prevent Electrical Shock: Carefully Read All Warnings and Instructions First.**

**Check that the unit has not been damaged during transport.**

#### Safety Information Read carefully for your protection.

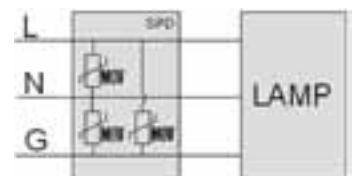
- LM80 tested; waterproof; ETL-listed, IP66 rated.
- **WARNING:** Make certain power is OFF before installing or maintaining fixture.
- **WARNING:** Although fixture is waterproof, it is not designed or intended to be submerged.
- **WARNING:** Connect fixture to 110-277V AC, 50 or 60Hz power source for Line Voltage (any other connection may void warranty).
- **WARNING:** Keep away from flammable objects. Do not position fixture within one inch of any combustible materials.
- **WARNING:** *A qualified electrician or persons with experience in household wiring should install this fixture. The electrical system and the method of electricity connecting this fixture to it must be in accordance with the National Electrical Code and local building codes.*
- **WARNING:** Your light fixture is pre-wired for easy installation.
- **WARNING:** There are no user-replaceable bulbs.
- **WARNING:** Disassembling your fixture will void the manufacturer's 5-year warranty.
- **WARNING:** For supply connections, use wire rated at least 90°C.
- **WARNING:** In the event of breakage, your unit may no longer be waterproof and should be replaced. You may contact your supplier or LUMATEQ directly for ordering assistance.
- **WARNING:** To avoid hazard to children, account for all parts and destroy packing materials.

#### Addendum:

LUMATEQ equipment that is directly connected to AC mains (e.g. 120/220/277VAC) can be damaged by short circuit and overload conditions. In addition, lightning surges or load switching transients (originating outside the bulb) can create voltage spikes or ring waves that can stress and ultimately damage components and render the fixture inoperable. Given that the value proposition for LED bulbs is not only lower energy usage, but longer lifetimes, it will be crucial that transient voltage protection is taken into account to eliminate field failures driven by the electrical environment.

Ensure the following steps are taken to decrease the chance of damage from short circuits and overload conditions:

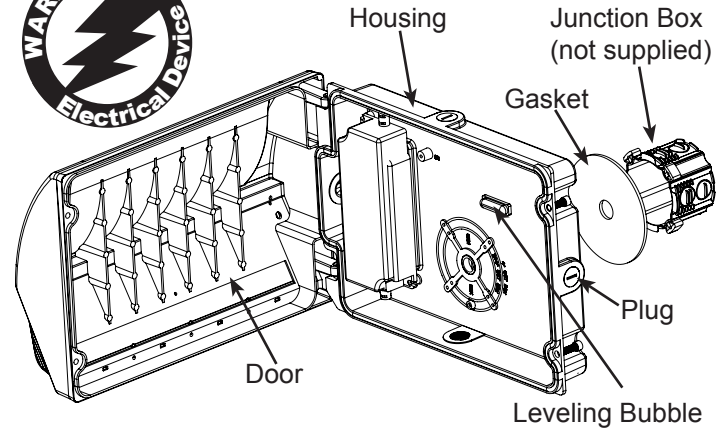
1. Do not use mechanical timers or contactors to switch on the lamp. These contacts are known to produce voltage spikes which are detrimental to the circuitry of the lamp. It is recommended to use a solid state relay to provide power to the fixture.
2. Replace old circuit breakers, as corroded contacts on both the bus bar and internal contacts of the breaker can cause destructive electrical spikes.
3. Use a surge protection device (SPD) spanning both Line, Neutral and Ground. These devices contain MOV's (a metal oxide varistor) which can help protect the LED bulb from overvoltage surges and ring-wave effects by clamping short-duration voltage impulses as shown in drawing.



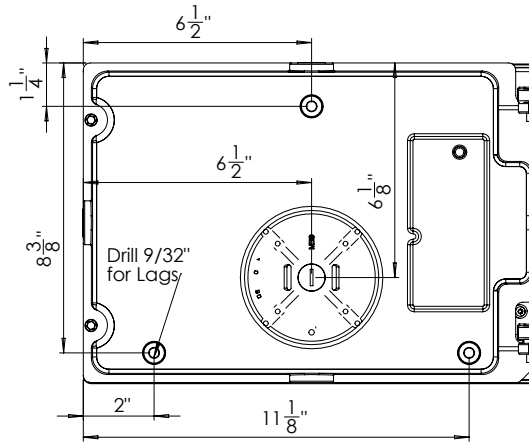
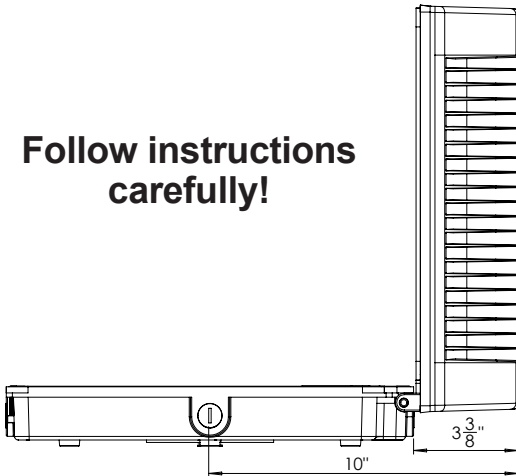
## Mounting

To ensure weatherproof seal, apply weatherproof silicone sealant around the edge of the Housing and/or Junction Box. This is especially important with an uneven wall surface. Silicone all plugs and unused conduit entries.

- 1) Loosen Door Screws with the Allen wrench provided (3/16") and swing open the door. Screws will remain in place with silicone washers.
- 2) Un-screw the appropriate plug when mounting to junction box (not supplied). If lag bolt mounting to surface, drill through holes using a 9/32" Drill bit at the locations on the rear housing. Use Leveling Bubble to level fixture.
- 3) Feed supply wires through Junction Box. Check that the Gasket is fully sealed.
- 4) Make sure Housing Gasket is properly seated. Close and tighten the Door Screws. Silicone all Plugs and unused conduit entries.
- 5) If outdoor surface is irregular, use caulk to seal any gaps around the Housing.



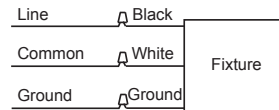
**Follow instructions carefully!**



## Wiring

Universal voltage driver permits operation at 110V-277V, 50 or 60 Hz.

- Connect the black fixture lead to the (+) LINE supply lead.
- Connect the white fixture lead to the (-) COMMON supply lead.
- Connect the GROUND wire from fixture to supply ground.



## Cleaning & Maintenance

**CAUTION: Be sure fixture temperature is cool enough to touch. Do not clean or maintain while fixture has power applied.**

- Clean lens and fixture with non-abrasive glass cleaning solution.
- Do not open fixture to clean the LED. Do not touch the LED.

## Troubleshooting

- Check that the line voltage at fixture is correct. Refer to wiring directions.
- Is the fixture grounded properly?
- Check power supply fuse. If blown, replace with one of same size and rating.

## Specifications

Model Number:	LW40-BRZ-110-00	LW52-BRZ-110-00	LW96-BRZ-110-00
Total Lumens:	3251	4085	7224
Input Voltage (VAC/60Hz):	110-277	110-277	110-277
Input Current (Amp): @110VAC	0.3	0.38	0.66
Input Power (W):	36	45	78
Color Rendering Index (CRI):	76	84	85
Correlated Color Temperature (K):	5700	5700	5700

## Warranty

LUMATEQ products are all carefully tested and inspected to ensure optimal levels of performance. LUMATEQ warrants to the original purchaser of LUMATEQ products to be free from factory defects in materials and workmanship for a period of five years from the date of purchase. Should they be proven defective in material or workmanship within three years of original purchase, they will be repaired or replaced without charge, subject to the performance guarantees stated in this warranty. This warranty is void if product has been damaged by neglect, unreasonable use, improper service and failure to follow maintenance guidelines. LUMATEQ's liability and purchaser's exclusive remedy for damages shall not be greater than the purchase price of the actual product claimed to be defective and LUMATEQ shall not be liable for any indirect, incidental or consequential damages including, but not limited to, present or prospective profits, reliance expenditures or commitments, reputation, goodwill or claims of third parties. During this warranty period, your LUMATEQ product will either be repaired or replaced without charges to the original purchaser, when returned prepaid and insured with proof of purchase date. This warranty covers repair or replacement costs and freight back to the original purchaser-consumer. For prompt warranty service, contact the LUMATEQ Warranty Department to receive your Warranty Tracking/Authorization Number. E-mail: warranty@lumateq.com Phone: 855.586.2837. Please note, dated proof of purchase must accompany all LUMATEQ products returned to the LUMATEQ Warranty Department.