

WALL PACK LED LIGHT

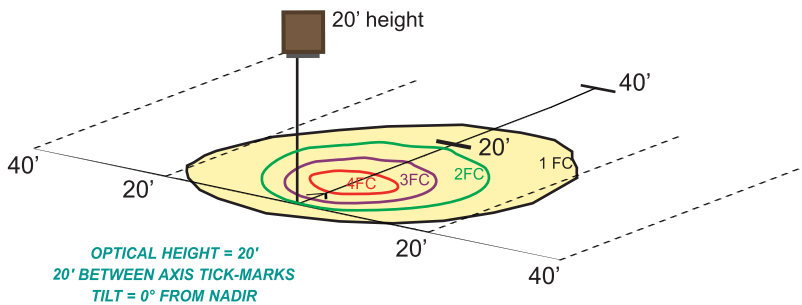
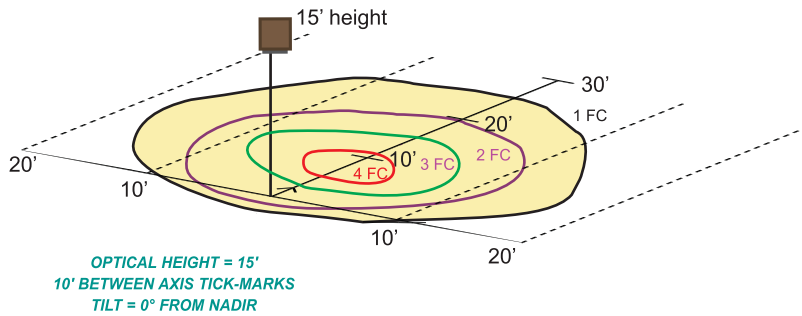
LWP52BZ-110-277 FULL WALL PACK LED LIGHT, 52-WATT, BRONZE

SPECIFICATIONS

Maximum Lumens	6,869
Input Voltage (VAC)	110-277V
Input Current Amp (@ 110V)	0.50
Input Power (W)	51.57
Input Power Factor	0.98
Efficacy	133.2
Color Rendering Index (CRI)	72
Correlated Color Temperature (CCT)	5000K

CHARACTERISTICS

Maximum Candela	2917.35
Maximum Candela Angle	C=90.0 γ =55.0
Horizontal Beam Angle (50%)	109.9
Vertical Beam Angle (50%)	116.3
Horizontal Field Angle (10%)	163.9
Vertical Field Angle (10%)	188.2
Total Luminaire Watts	53.54



The following shows the cost of illuminating this fixture an average of 12 hours a day for 365 days a year.

$$\frac{53.54 \text{ Watt} \times 4,380 \text{ YKWH} \times \$0.09/\text{KWH}}{1,000}$$

\$21.11
Yearly Operating Cost
per fixture

- APPLICATION**
- Security Lighting
 - Downlight
 - Entrances
 - Walkways
 - Loading Docks
 - Garage
 - Warehouses
 - Self-Storage Buildings
 - Retail Buildings

LUMENS=6,945

REPLACES: 250W+ MH LAMP

RATED LIFE = 50k + Hours

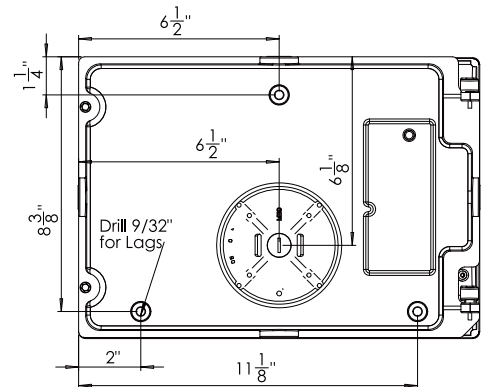
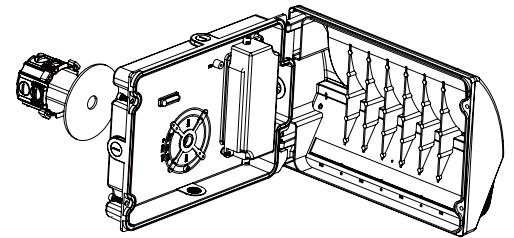


NICHIA LED INSIDE



FEATURES

- Built-in level for one hand installation
- Traditional clamshell design for quick installation
- UV stabilized impact resistant polycarbonate lens
- Powder coated, heat sink cast aluminum housing
- Concealed fastener for improve aesthetics' and theft prevention
- Long life 50,000+ hours LED's to reduce maintenance cost/replacements
- Silicone seals for durability and wide-range LED operating temperature +120F to -20F
- Chromatically stable 5,000K, LM 80 Tested, ETL Listed IP-65 wet location (non-submersive)
- Suggested Mounting Height: 15' - 20'
- Weight: 6.75 lbs.



*non-submersible