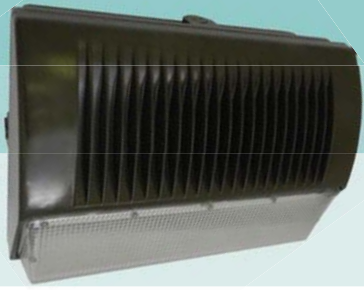


WALL PACK LED LIGHT

LWP96BZ-110-277 FULL WALL PACK LED LIGHT, 96-WATT, BRONZE



LUMENS=12,437

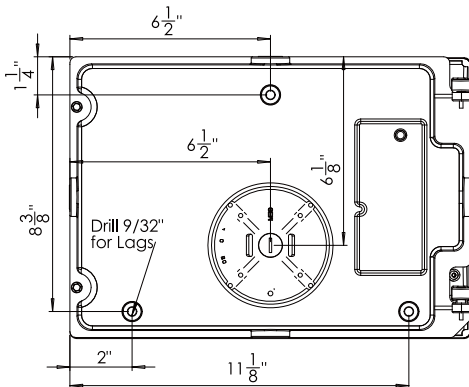
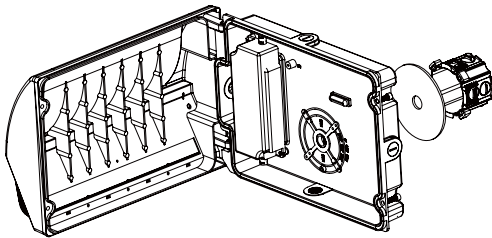
REPLACES: 400W MH LAMP

RATED LIFE = 50k + Hours



FEATURES

- Built-in level for one hand installation
- Traditional clamshell design for quick installation
- UV stabilized impact resistant polycarbonate lens
- Powder coated, heat sink cast aluminum housing
- Concealed fastener for improve aesthetics* and theft prevention
- Long life 50,000+ hours LED's to reduce maintenance cost/replacements
- Silicone seals for durability and wide-range LED operating temperature +120F to -20F
- Chromatically stable 5,000K, LM 80 Tested, ETL Listed IP-65 wet location (non-submersible)
- Suggested Mounting Height: 18' - 22'
- Weight: 7.5 lbs.

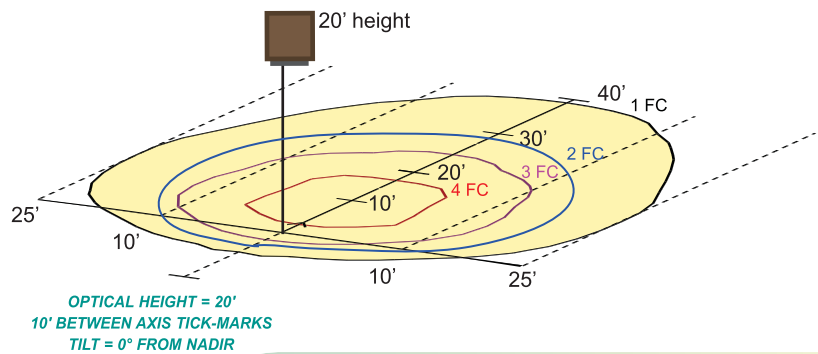
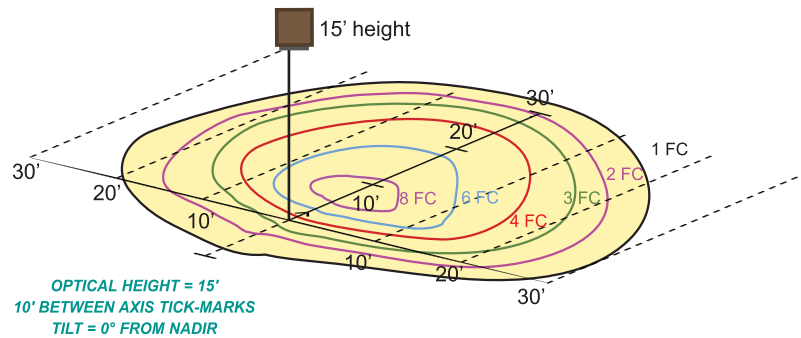


SPECIFICATIONS

Maximum Lumens	12,437
Input Voltage (VAC)	110-277V
Input Current Amp (@ 110V)	0.92
Input Power (W)	95.52
Input Power Factor	0.98
Efficacy	130.20
Color Rendering Index (CRI)	72
Correlated Color Temperature (CCT)	5000K

CHARACTERISTICS

Maximum Candela	4856.527
Maximum Candela Angle	C=90.0 γ=45.0
Horizontal Beam Angle (50%)	123.6
Vertical Beam Angle (50%)	114.2
Horizontal Field Angle (10%)	167.4
Vertical Field Angle (10%)	184.8
Total Luminaire Watts	96



APPLICATION

- Security Lighting
- Downlight
- Entrances
- Walkways
- Loading Docks
- Garage
- Warehouses
- Self-Storage Buildings
- Retail Buildings

The following shows the cost of illuminating this fixture an average of 12 hours a day for 365 days a year.

$$90.74 \text{ Watt} \times 4,380 \text{ YKWH} \times \$0.09/\text{KWH} = 1,000$$

\$35.77

Yearly Operating Cost per fixture



*non-submersible



For additional product information visit Lumateq.com • Call or email your order to 1.855.LUMATEQ (586-2837) / Email sales@lumateq.com