



## LK848-20-110-00 LED Vapor Proof Kit

### FEATURES

- 2, 20-Watt LED lamps (replaces high output T-8 fluorescent lamps)
- 624 high-output LEDs
- Chromatically stable 5000K; CRI of 69
- Draws <.37 Amperes
- 4' weatherproof housing
- Stainless Steel screws and mounting bracket
- 110~277 Volt AC
- Temperature tested -40° to 150°
- 49-3/4"L x 6-3/8"W x 4-1/2"H
- UL-Approved for "WET LOCATION"

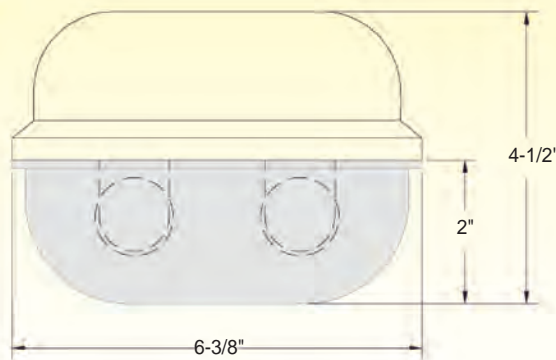


### BENEFITS

- Replaces traditional 70± Watt T8 fluorescent fixture
- Wide range of power supply with no ballast required
- Instant on even in extremely cold environments
- Wet & dry zone lighting
- No strobing or flickering
- Crisp white, energy efficient light best for security cameras
- Significantly longer life leads to reduced maintenance costs

### IDEAL FOR

- Security lighting
- Parking garage light
- Sign and monument lighting
- Exterior wall light
- Warehouse lights
- Canopy barn lighting
- Freezer and cooler lighting



Up To  
**60%**  
Energy Savings

The following shows the cost of illuminating this fixture an average of 12 hours a day for 365 days a year.

40 Watts x 4,380 YKWH x \$.09/KWH  
1,000

**\$15.77**  
Yearly Operating  
Cost per fixture

