

# LUMATEQ

HIGH VALUE, HIGH QUALITY  
LED LIGHTING

Up To  
**90%**  
Energy  
Savings



# LUMATEQ

## OFFER YOUR CUSTOMERS THE LED ADVANTAGE...

Lumateq's mission is to provide our distributor customers with a portfolio of eco-conscious, energy-saving and cost-efficient LED lighting solutions at outstanding value. Our affordable, high-quality LED products include Blaster Flood lights and Wall Pack lights plus Accessories

Lumateq offers your customers the latest in cutting-edge LED technology delivering a complete spectrum of energy-efficient, high-quality and affordable lighting solutions that meet a variety of indoor and outdoor applications. Offer your customers the best value and highest quality LED lighting available. Offer them Lumateq.

The use of LEDs as an energy efficient lighting solution, also known as Solid State Lighting (SSL) offers great promise as the next generation of lighting for everyday environments. Unlike traditional sources that use vacuum or gas filled tubes, such as incandescent, fluorescent and HID lighting, LEDs produce light solely by the rapid movement of electrons through a semiconductor material. They contain no Mercury which also makes LED lighting a healthier solution for homes and businesses.

LEDs generate light so efficiently that they are becoming an attractive alternative lighting source. Compared to traditional sources, LEDs draw less power and produce a lower heat output. This results in a significant reduction for two of the largest energy consumers in our working and living environments: HVAC and lighting. LEDs typically offer the additional advantage of having a longer service life than traditional sources.

LED Lighting is a cost-effective alternative to traditional lighting and translates to measurable savings in the long term.





# TABLE OF CONTENTS

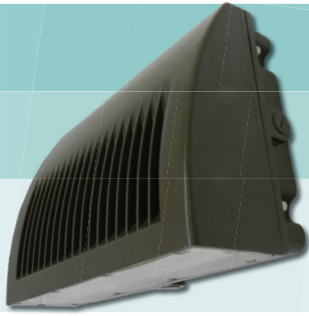
<b>WALL PACK LED LIGHT SERIES .....</b>	<b>4</b>
<b>BLASTER FLOOD LED LIGHT SERIES .....</b>	<b>9</b>
<b>BLASTER FLOOD LED LIGHT ACCESSORIES .....</b>	<b>14</b>
<b>TERMS &amp; CONDITIONS .....</b>	<b>16</b>
<b>INDEX .....</b>	<b>17</b>



# LUMATEQ

# WALL PACK LED LIGHT

## LC40-BRZ-110-00 CUT OFF WALL PACK LED LIGHT, 40-WATT, BRONZE



**LUMENS = 2,821**

**REPLACES: 175W MH LAMP**

**RATED LIFE = 50k + Hours**

### SPECIFICATIONS

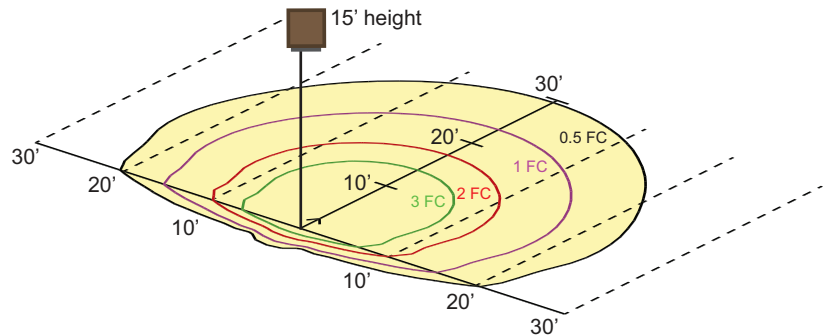
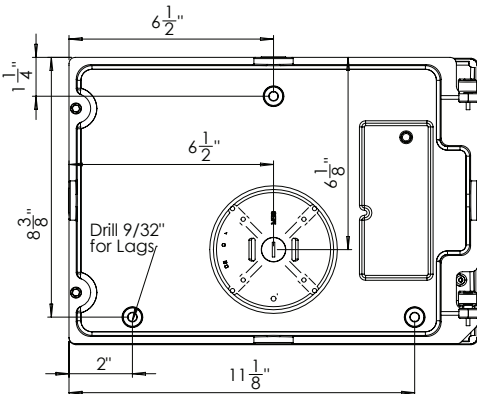
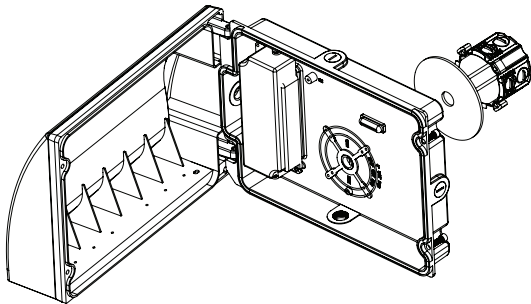
Maximum Lumens	2,821
Input Voltage (VAC)	110-277V
Input Current Amp (@ 110V)	0.31
Input Power (W)	36.46
Input Power Factor	0.98
Efficacy	77.37
Color Rendering Index (CRI)	87
Correlated Color Temperature (CCT)	5700K

### CHARACTERISTICS

Maximum Candela	1831.92
Maximum Candela Angle	C=90.0 γ=40.0
Horizontal Beam Angle (50%)	Left=39.6 Right=64.9
Vertical Beam Angle (50%)	Left=34.6 Right=27.8
Horizontal Field Angle (10%)	Left=70.0 Right=81.3
Vertical Field Angle (10%)	Left=48.2 Right=38.5
Total Luminaire Watts	36.46

### FEATURES

- Dark Sky Compliant
- Built-in level for one hand installation
- Traditional clamshell design for quick installation
- UV stabilized impact resistant polycarbonate lens
- Powder coated, heat sink cast aluminum housing
- Concealed fastener for improve aesthetics' and theft prevention
- Long life 50,000+ hours LED's to reduce maintenance cost/replacements
- Silicone seals for durability and wide-range LED operating temperature +120F to -20F
- Chromatically stable 5700K, LM 80 Tested, ETL Listed IP-65 wet location (non-submersive)
- Suggested Mounting Height: 10' - 11'
- Weight: 7 lbs.



OPTICAL HEIGHT = 15'  
10' BETWEEN AXIS TICK-MARKS  
TILT = 0° FROM NADIR

### APPLICATION

- Security Lighting
- Downlight
- Entrances
- Walkways
- Loading Docks
- Garage
- Warehouses
- Self-Storage Buildings
- Retail Buildings

The following shows the cost of illuminating this fixture an average of 12 hours a day for 365 days a year.

$$36.46 \text{ Watt} \times 4,380 \text{ YKWH} \times \$0.09/\text{KWH} = 1,000$$

**\$14.37**

Yearly Operating Cost per fixture



\*non-submersible





# WALL PACK LED LIGHT

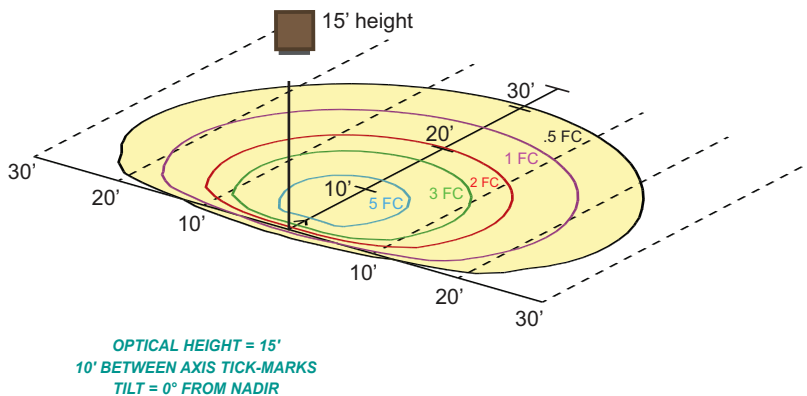
## LC52-BRZ-110-00 CUT OFF WALL PACK LED LIGHT, 52-WATT, BRONZE

### SPECIFICATIONS

Maximum Lumens	3,368
Input Voltage (VAC)	110-277V
Input Current Amp (@ 110V)	0.39
Input Power (W)	46.32
Input Power Factor	0.97
Efficacy	72.71
Color Rendering Index (CRI)	85
Correlated Color Temperature (CCT)	5700K

### CHARACTERISTICS

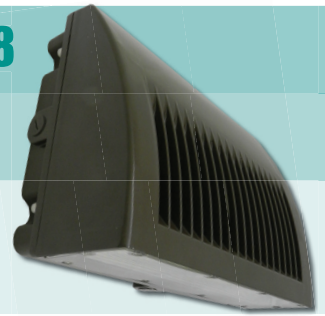
Maximum Candela	2234.68	
Maximum Candela Angle	C=90.0 γ=40.0	
Horizontal Beam Angle (50%)	Left=59.2	Right=29.8
Vertical Beam Angle (50%)	Left=33.0	Right=28.4
Horizontal Field Angle (10%)	Left=108.4	Right=44.4
Vertical Field Angle (10%)	Left=45.1	Right=39.8
Total Luminaire Watts	46.32	



**LUMENS = 3,368**

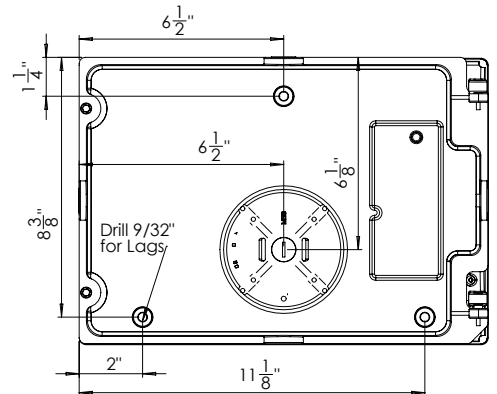
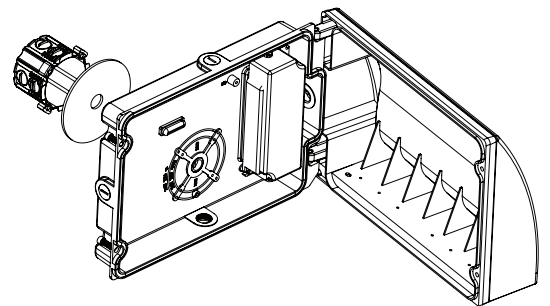
**REPLACES: 250W MH LAMP**

**RATED LIFE = 50k + Hours**



### FEATURES

- Dark Sky Compliant
- Built-in level for one hand installation
- Traditional clamshell design for quick installation
- UV stabilized impact resistant polycarbonate lens
- Powder coated, heat sink cast aluminum housing
- Concealed fastener for improve aesthetics' and theft prevention
- Long life 50,000+ hours LED's to reduce maintenance cost/replacements
- Silicone seals for durability and wide-range LED operating temperature +120F to -20F
- Chromatically stable 5700K, LM 80 Tested, ETL Listed IP-65 wet location (non-submersible)
- Suggested Mounting Height: 12' - 13'
- Weight: 7 lbs.



The following shows the cost of illuminating this fixture an average of 12 hours a day for 365 days a year.

$$\frac{46.32 \text{ Watt} \times 4,380 \text{ YKWH} \times \$.09/\text{KWH}}{1,000}$$

**\$18.26**  
Yearly Operating Cost per fixture

Security Lighting  
Downlight  
Entrances  
Walkways  
Loading Docks  
Garage  
Warehouses  
Self-Storage Buildings  
Retail Buildings

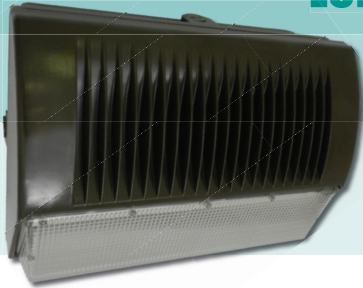
**APPLICATION**



\*non-submersible

# WALL PACK LED LIGHT

## LW40-BRZ-110-00 FULL WALL PACK LED LIGHT, 40-WATT, BRONZE



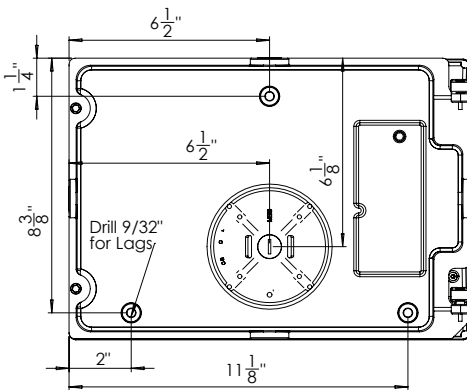
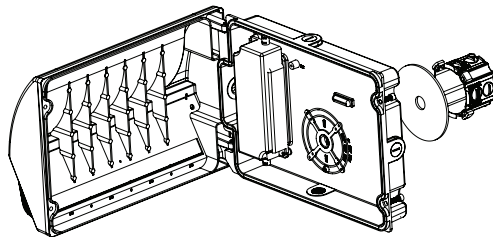
**LUMENS = 3,508**

**REPLACES: 175W MH LAMP**

**RATED LIFE = 50k + Hours**

### FEATURES

- Built-in level for one hand installation
- Traditional clamshell design for quick installation
- UV stabilized impact resistant polycarbonate lens
- Powder coated, heat sink cast aluminum housing
- Concealed fastener for improve aesthetics\* and theft prevention
- Long life 50,000+ hours LED's to reduce maintenance cost/replacements
- Silicone seals for durability and wide-range LED operating temperature +120F to -20F
- Chromatically stable 5700K, LM 80 Tested, ETL Listed IP-65 wet location (non-submersible)
- Suggested Mounting Height: 12' - 13'
- Weight: 6.75 lbs.

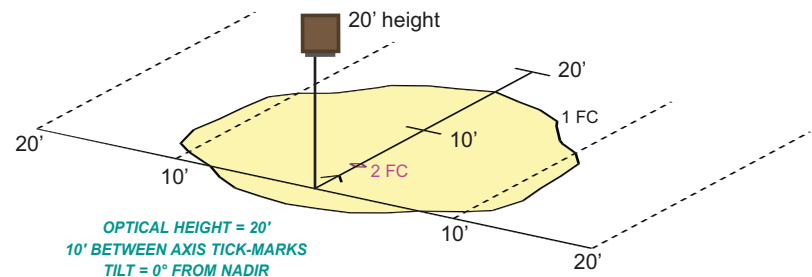
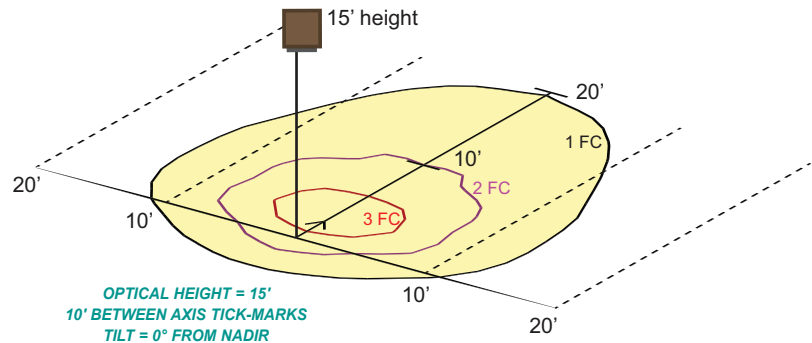


### SPECIFICATIONS

Maximum Lumens	3,508
Input Voltage (VAC)	110-277V
Input Current Amp (@ 110V)	0.34
Input Power (W)	40.75
Input Power Factor	0.97
Efficacy	86.10
Color Rendering Index (CRI)	82
Correlated Color Temperature (CCT)	5700K

### CHARACTERISTICS

Maximum Candela	1236.94
Maximum Candela Angle	C=90.0 γ=40.0
Horizontal Beam Angle (50%)	116.2
Vertical Beam Angle (50%)	114.3
Horizontal Field Angle (10%)	166.3
Vertical Field Angle (10%)	188.0
Total Luminaire Watts	40.75



### APPLICATION

- Security Lighting
- Downlight
- Entrances
- Walkways
- Loading Docks
- Garage
- Warehouses
- Self-Storage Buildings
- Retail Buildings

The following shows the cost of illuminating this fixture an average of 12 hours a day for 365 days a year.

$$40.75 \text{ Watt} \times 4,380 \text{ YKWH} \times \$0.09/\text{KWH} = 1,000$$

**\$16.06**

Yearly Operating Cost per fixture



\*non-submersible





# WALL PACK LED LIGHT

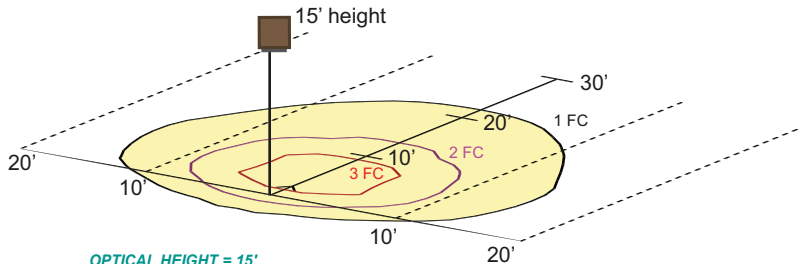
## LW52-BRZ-110-00 FULL WALL PACK LED LIGHT, 52-WATT, BRONZE

### SPECIFICATIONS

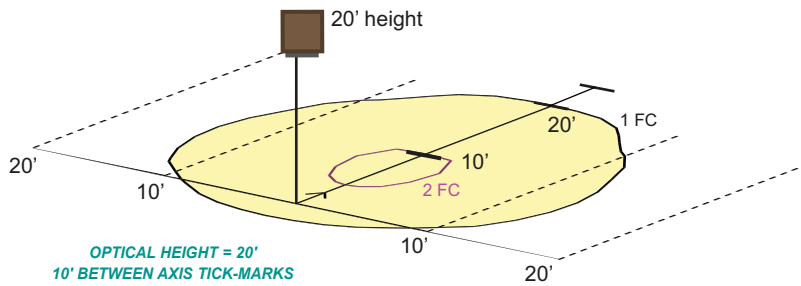
Maximum Lumens	4,580
Input Voltage (VAC)	110-277V
Input Current Amp (@ 110V)	0.45
Input Power (W)	53.54
Input Power Factor	0.98
Efficacy	85.55
Color Rendering Index (CRI)	82
Correlated Color Temperature (CCT)	5700K

### CHARACTERISTICS

Maximum Candela	1511.84
Maximum Candela Angle	C=90.0 $\gamma$ =55.0
Horizontal Beam Angle (50%)	109.9
Vertical Beam Angle (50%)	116.3
Horizontal Field Angle (10%)	163.9
Vertical Field Angle (10%)	188.2
Total Luminaire Watts	53.54



OPTICAL HEIGHT = 15'  
10' BETWEEN AXIS TICK-MARKS  
TILT = 0° FROM NADIR



OPTICAL HEIGHT = 20'  
10' BETWEEN AXIS TICK-MARKS  
TILT = 0° FROM NADIR

The following shows the cost of illuminating this fixture an average of 12 hours a day for 365 days a year.

$$\frac{53.54 \text{ Watt} \times 4,380 \text{ YKWH} \times \$0.09/\text{KWH}}{1,000}$$

**\$21.11**

Yearly Operating Cost per fixture

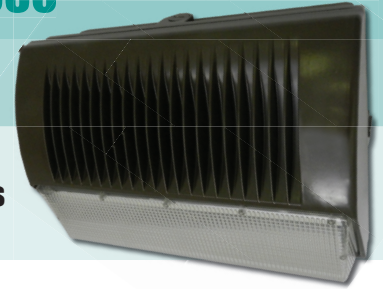
Security Lighting  
Downlight  
Entrances  
Walkways  
Loading Docks  
Garage  
Warehouses  
Self-Storage Buildings  
Retail Buildings

### APPLICATION

**LUMENS = 4,580**

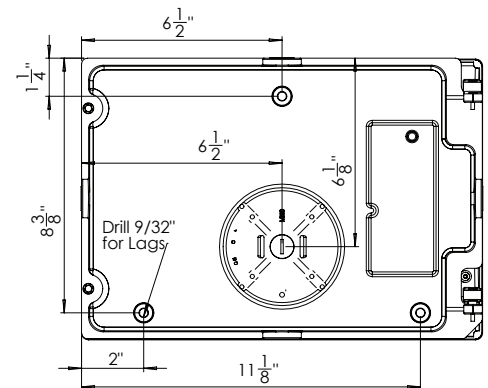
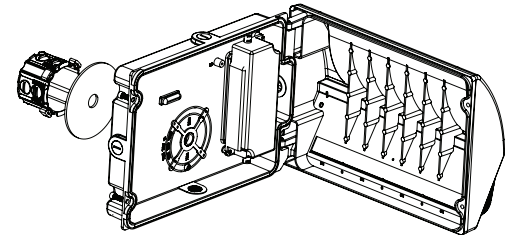
**REPLACES: 250W MH LAMP**

**RATED LIFE = 50k+ Hours**



### FEATURES

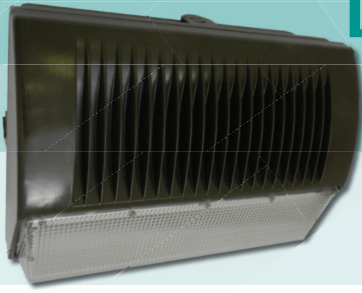
- Built-in level for one hand installation
- Traditional clamshell design for quick installation
- UV stabilized impact resistant polycarbonate lens
- Powder coated, heat sink cast aluminum housing
- Concealed fastener for improve aesthetics' and theft prevention
- Long life 50,000+ hours LED's to reduce maintenance cost/replacements
- Silicone seals for durability and wide-range LED operating temperature +120F to -20F
- Chromatically stable 5700K, LM 80 Tested, ETL Listed IP-65 wet location (non-submersive)
- Suggested Mounting Height: 14' - 15'
- Weight: 6.75 lbs.



\*non-submersible

# WALL PACK LED LIGHT

## LW96-BRZ-110-00 FULL WALL PACK LED LIGHT, 96-WATT, BRONZE



**LUMENS = 8,123**

**REPLACES: 400W MH LAMP**

**RATED LIFE = 50k + Hours**

### SPECIFICATIONS

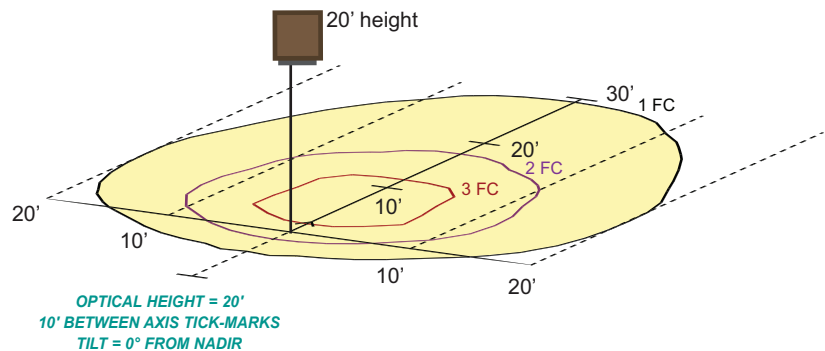
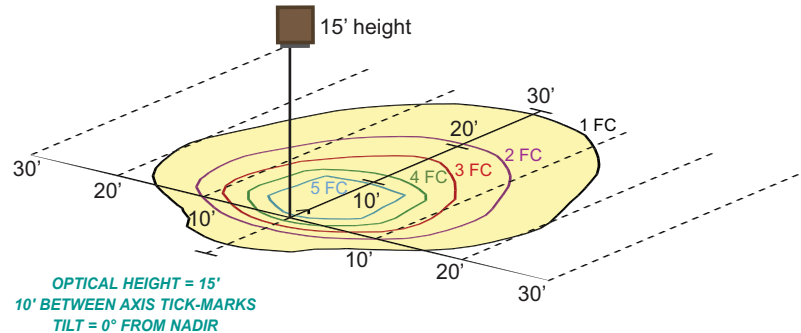
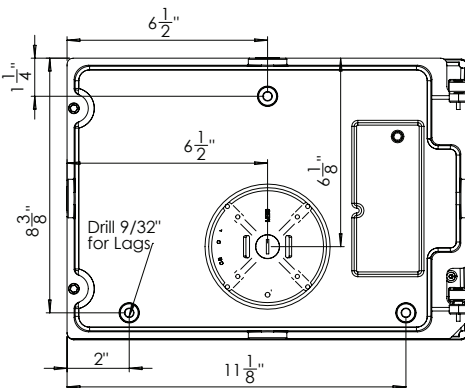
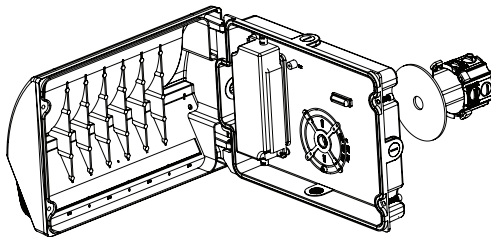
Maximum Lumens	8,123
Input Voltage (VAC)	110-277V
Input Current Amp (@ 110V)	0.76
Input Power (W)	90.74
Input Power Factor	0.98
Efficacy	89.52
Color Rendering Index (CRI)	82
Correlated Color Temperature (CCT)	5700K

### CHARACTERISTICS

Maximum Candela	2725.18
Maximum Candela Angle	C=90.0 $\gamma=45.0$
Horizontal Beam Angle (50%)	123.6
Vertical Beam Angle (50%)	114.2
Horizontal Field Angle (10%)	167.4
Vertical Field Angle (10%)	184.8
Total Luminaire Watts	90.74

### FEATURES

- Built-in level for one hand installation
- Traditional clamshell design for quick installation
- UV stabilized impact resistant polycarbonate lens
- Powder coated, heat sink cast aluminum housing
- Concealed fastener for improve aesthetics' and theft prevention
- Long life 50,000+ hours LED's to reduce maintenance cost/replacements
- Silicone seals for durability and wide-range LED operating temperature +120F to -20F
- Chromatically stable 5700K, LM 80 Tested, ETL Listed IP-65 wet location (non-submersive)
- Suggested Mounting Height: 18' - 19'
- Weight: 7.5 lbs.



### APPLICATION

- Security Lighting
- Downlight
- Entrances
- Walkways
- Loading Docks
- Garage
- Warehouses
- Self-Storage Buildings
- Retail Buildings

The following shows the cost of illuminating this fixture an average of 12 hours a day for 365 days a year.

$$\frac{90.74 \text{ Watt} \times 4,380 \text{ YKWH} \times \$0.09/\text{KWH}}{1,000}$$

**\$35.77**  
 Yearly Operating Cost per fixture



\*non-submersible





# BLASTER FLOOD LOW VOLTAGE LED LIGHT

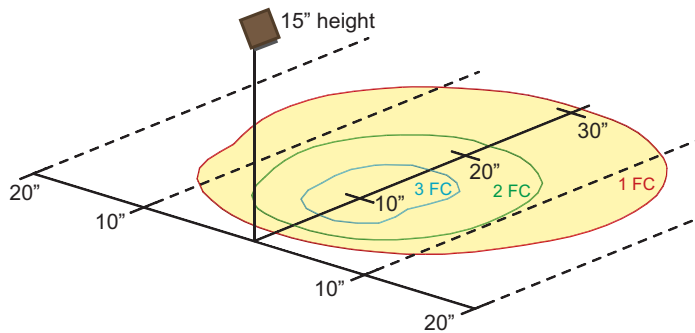
## LB40N-BRZ-110-00 BLASTER FLOOD LED LIGHT, 40-WATT, BRONZE

### SPECIFICATIONS

Maximum Lumens	3,760
Input Voltage (VAC)	110-277V
Input Current Amp (@ 110V)	.34
Input Power (W)	40.02
Input Power Factor	0.99
Efficacy	93.96
Color Rendering Index (CRI)	80
Correlated Color Temperature (CCT)	5700K

### CHARACTERISTICS

Maximum Candela	2551.35
Maximum Candela Angle	C=180.0 $\gamma=0.0$
Horizontal Beam Angle (50%)	88.8
Vertical Beam Angle (50%)	63.6
Horizontal Field Angle (10%)	131.0
Vertical Field Angle (10%)	110.5
Total Luminaire Watts	40.02



OPTICAL HEIGHT = 15'  
10' BETWEEN AXIS TICK-MARKS  
TILT = 60° FROM NADIR

The following shows the cost of illuminating this fixture an average of 12 hours a day for 365 days a year.

$$\frac{40 \text{ Watt} \times 4,380 \text{ YKWH} \times \$.09/\text{KWH}}{1,000}$$

**\$15.77**

Yearly Operating Cost per fixture

Flood Light  
Downlight  
Pole Light  
Up Light  
Wall Pack  
High Box  
Canopy Light

APPLICATION

**LUMENS = 3,760**

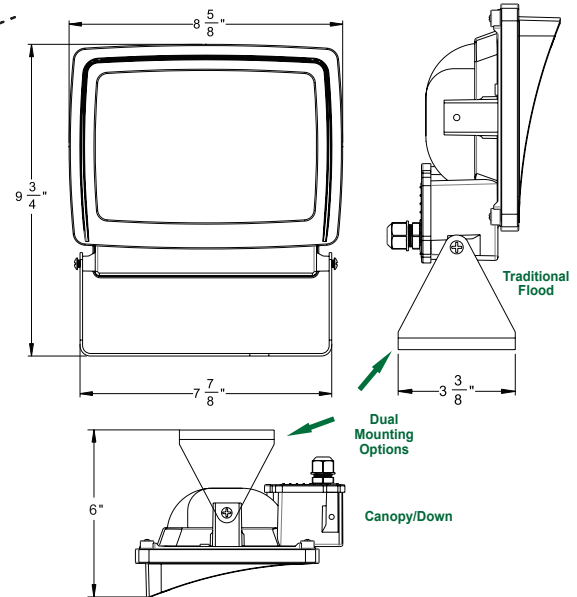
**REPLACES: 175W MH LAMP**

**RATED LIFE = 50k + Hours**



### FEATURES

- Replaces: 175 Watt Metal Halide fixture in Flood and/or Downlight applications
- Dual trunnion mount for traditional Flood applications or as canopy/down light/high bay
- Crisp cool white, low draw, energy efficient light, best for security cameras and visual clarity
- Long life 50,000+ hours LED's to reduce maintenance cost/replacements
- UV-Stable, high impact, vibration and shock resistant tempered glass lens
- Powder coated, heat sink cast aluminum housing with steel 1.80° swivel universal mounting bracket
- Silicone seals for durability and wide-range LED operating temperature +120F to -20F
- Chromatically stable 5700K, LM 80 Tested, ETL Listed IP-65 wet location (non-submersive)
- Optional: Rock Guard, Slip Fitter and wide range mounting accessories available.
- Suggested Mounting Height: 15' - 18'
- Weight: 4.5 lbs.



**ACCESSORIES AVAILABLE**  
on pages 14-15



\*non-submersible

# BLASTER FLOOD LOW VOLTAGE LED LIGHT

## LB56N-BRZ-110-00 BLASTER FLOOD LED LIGHT, 56-WATT, BRONZE



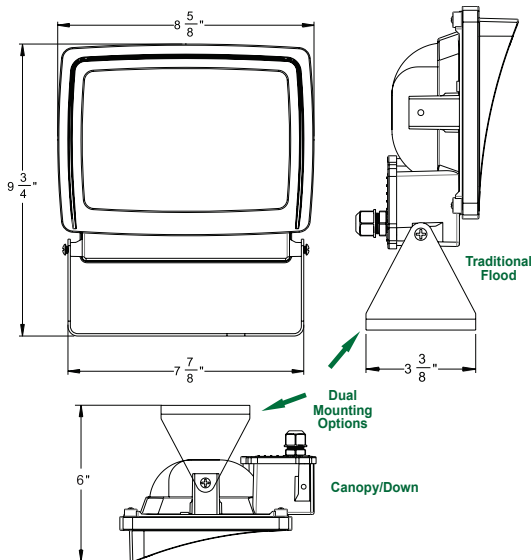
**LUMENS = 5,136**

**REPLACES: 200W MH LAMP**

**RATED LIFE = 50k+ Hours**

### FEATURES

- Replaces: 200 Watt Metal Halide fixture in Flood and/or Downlight applications
- Dual trunnion mount for traditional Flood applications or as canopy/down light/high bay
- Crisp cool white, low draw, energy efficient light, best for security cameras and visual clarity
- Long life 50,000+ hours LED's to reduce maintenance cost/replacements
- UV-Stable, high impact, vibration and shock resistant tempered glass lens
- Powder coated, heat sink cast aluminum housing with steel 180° swivel universal mounting bracket
- Silicone seals for durability and wide-range LED operating temperature +120F to -20F
- Chromatically stable 5700K, LM 80 Tested, ETL Listed IP-65 wet location (non-submersive)
- Optional: Rock Guard, Slip Fitter and wide range mounting accessories available.
- Suggested Mounting Height: 15' - 18'
- Weight: 4.5 lbs.

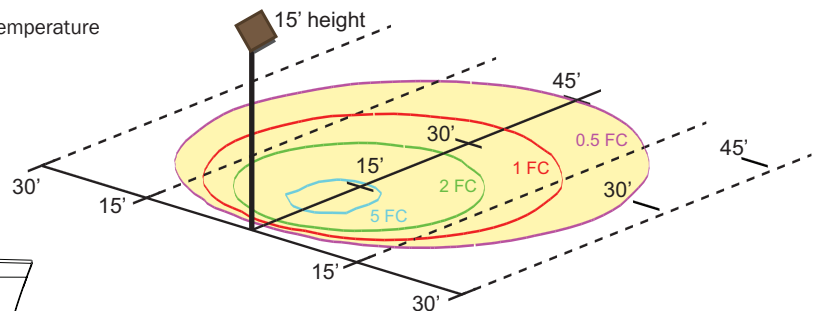


### SPECIFICATIONS

Maximum Lumens	5,136
Input Voltage (VAC)	110-277V
Input Current Amp (@ 110V)	.48
Input Power (W)	56.17
Input Power Factor	0.98
Efficacy	91.45
Color Rendering Index (CRI)	80
Correlated Color Temperature (CCT)	5700K

### CHARACTERISTICS

Maximum Candela	3525.05
Maximum Candela Angle	C=180.0 γ=0.0
Horizontal Beam Angle (50%)	87.9
Vertical Beam Angle (50%)	68.9
Horizontal Field Angle (10%)	127.9
Vertical Field Angle (10%)	104.5
Total Luminaire Watts	56.17



OPTICAL HEIGHT = 15'  
15' BETWEEN AXIS TICK-MARKS  
TILT = 60° FROM NADIR

### APPLICATION

- Flood Light
- Downlight
- Pole Light
- Up Light
- Wall Pack
- High Box
- Canopy Light

The following shows the cost of illuminating this fixture an average of 12 hours a day for 365 days a year.

56 Watt x 4,380 YKWH x \$.09/KWH  
1,000

**\$22.08**

Yearly Operating Cost per fixture



\*non-submersible



**ACCESSORIES AVAILABLE**  
on pages 14-15



# BLASTER FLOOD LOW VOLTAGE LED LIGHT

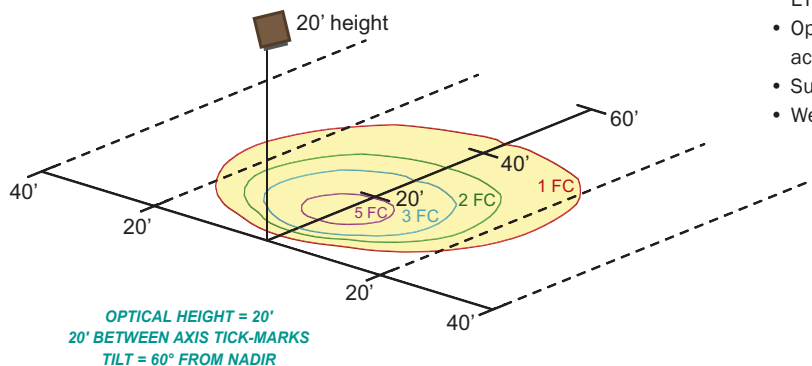
## LB100-BRZ-110-00 BLASTER FLOOD LED LIGHT, 100-WATT, BRONZE

### SPECIFICATIONS

Maximum Lumens	8,875
Input Voltage (VAC)	110-277V
Input Current Amp (@ 110V)	0.83
Input Power (W)	98.49
Input Power Factor	0.98
Efficacy	90.11
Color Rendering Index (CRI)	80
Correlated Color Temperature (CCT)	5700K

### CHARACTERISTICS

Maximum Candela	5884.25
Maximum Candela Angle	C=240.0 $\gamma=15.0$
Horizontal Beam Angle (50%)	85.5
Vertical Beam Angle (50%)	68.6
Horizontal Field Angle (10%)	127.4
Vertical Field Angle (10%)	102.6
Total Luminaire Watts	98.49



The following shows the cost of illuminating this fixture an average of 12 hours a day for 365 days a year.

100 Watt x 4,380 YKWH x \$.09/KWH  
1,000

**\$39.42**

Yearly Operating Cost per fixture

Flood Light  
Downlight  
Pole Light  
Up Light  
Wall Pack  
High Box  
Canopy Light

**APPLICATION**

**LUMENS = 8,875**

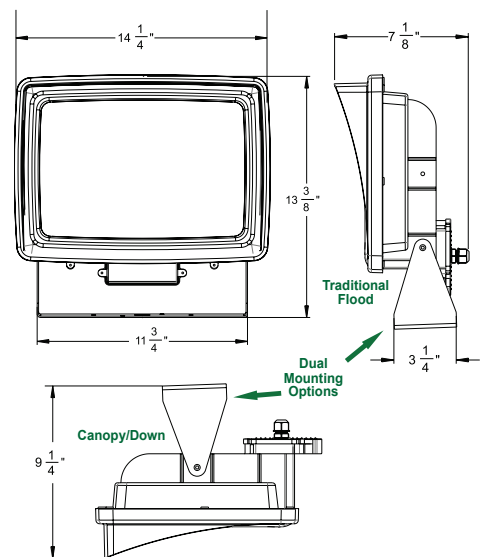
**REPLACES: 250W MH LAMP**

**RATED LIFE = 50k + Hours**



### FEATURES

- Replaces: 250 Watt Metal Halide fixture in Flood and/or Downlight applications
- Dual trunnion mount for traditional Flood applications or as canopy/down light/high bay
- Crisp cool white, low draw, energy efficient light, best for security cameras and visual clarity
- Long life 50,000+ hours LED's to reduce maintenance cost/replacements
- UV-Stable, high impact, vibration and shock resistant tempered glass lens
- Powder coated, heat sink cast aluminum housing with steel 180° swivel universal mounting bracket
- Silicone seals for durability and wide-range LED operating temperature +120F to -20F
- Chromatically stable 5700K, LM 80 Tested, ETL Listed IP-65 wet location (non-submersive)
- Optional: Rock Guard, Slip Fitter and wide range mounting accessories available.
- Suggested Mounting Height: 20' - 25'
- Weight: 15 lbs.



**ACCESSORIES AVAILABLE**  
on pages 14-15



\*non-submersible

# BLASTER FLOOD LOW VOLTAGE LED LIGHT

## LB130-BRZ-110-00 BLASTER FLOOD LED LIGHT, 130-WATT, BRONZE



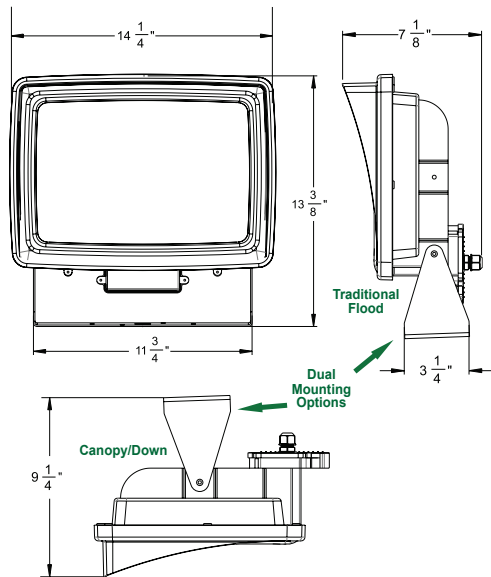
**LUMENS = 11,746**

**REPLACES: 320W MH LAMP**

**RATED LIFE = 50k + Hours**

### FEATURES

- Replaces: 320 Watt Metal Halide fixture in Flood and/or Downlight applications
- Dual trunnion mount for traditional Flood applications or as canopy/down light/high bay
- Crisp cool white, low draw, energy efficient light, best for security cameras and visual clarity
- Long life 50,000+ hours LED's to reduce maintenance cost/replacements
- UV-Stable, high impact, vibration and shock resistant tempered glass lens
- Powder coated, heat sink cast aluminum housing with steel 180° swivel universal mounting bracket
- Silicone seals for durability and wide-range LED operating temperature +120F to -20F
- Chromatically stable 5700K, LM 80 Tested, ETL Listed IP-65 wet location (non-submersive)
- Optional: Rock Guard, Slip Fitter and wide range mounting accessories available.
- Suggested Mounting Height: 20' - 25'
- Weight: 16 lbs.

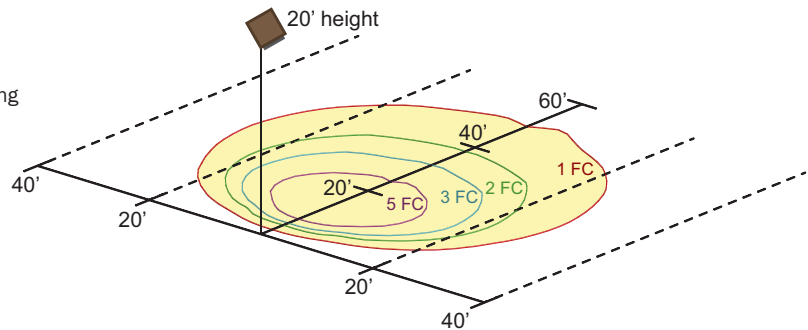


### SPECIFICATIONS

Maximum Lumens	11,746
Input Voltage (VAC)	110-277V
Input Current Amp (@ 110V)	1.09
Input Power (W)	129.91
Input Power Factor	0.99
Efficacy	90.42
Color Rendering Index (CRI)	80
Correlated Color Temperature (CCT)	5700K

### CHARACTERISTICS

Maximum Candela	8140.12
Maximum Candela Angle	C=60.0 $\gamma=10.0$
Horizontal Beam Angle (50%)	86.1
Vertical Beam Angle (50%)	68.2
Horizontal Field Angle (10%)	126.1
Vertical Field Angle (10%)	102.3
Total Luminaire Watts	129.91



OPTICAL HEIGHT = 20'  
20' BETWEEN AXIS TICK-MARKS  
TILT = 60° FROM NADIR

### APPLICATION

- Flood Light
- Downlight
- Pole Light
- Up Light
- Wall Pack
- High Box
- Canopy Light

The following shows the cost of illuminating this fixture an average of 12 hours a day for 365 days a year.

130 Watt x 4,380 YKWH x \$.09/KWH  
1,000

**\$51.25**

Yearly Operating Cost per fixture



\*non-submersible



**ACCESSORIES AVAILABLE**  
on pages 14-15

# BLASTER FLOOD LOW VOLTAGE LED LIGHT

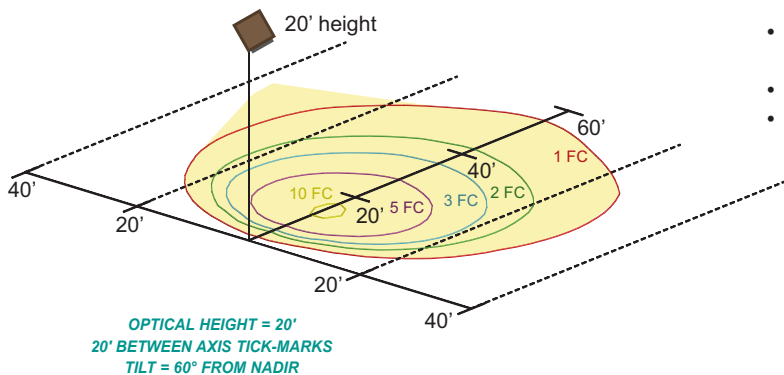
## LB160-BRZ-110-00 BLASTER FLOOD LED LIGHT, 160-WATT, BRONZE

### SPECIFICATIONS

Maximum Lumens	14,066
Input Voltage (VAC)	110-277V
Input Current Amp (@ 110V)	1.36
Input Power (W)	162.58
Input Power Factor	0.99
Efficacy	86.52
Color Rendering Index (CRI)	80
Correlated Color Temperature (CCT)	5700K

### CHARACTERISTICS

Maximum Candela	9771.44
Maximum Candela Angle	C=90.0 $\gamma=10.0$
Horizontal Beam Angle (50%)	81.3
Vertical Beam Angle (50%)	67.2
Horizontal Field Angle (10%)	125.9
Vertical Field Angle (10%)	98.8
Total Luminaire Watts	162.58



The following shows the cost of illuminating this fixture an average of 12 hours a day for 365 days a year.

160 Watt x 4,380 YKWH x \$.09/KWH  
1,000

**\$63.07**

Yearly Operating Cost per fixture

Flood Light  
Downlight  
Pole Light  
Up Light  
Wall Pack  
High Box  
Canopy Light

**APPLICATION**

**LUMENS = 14,066**

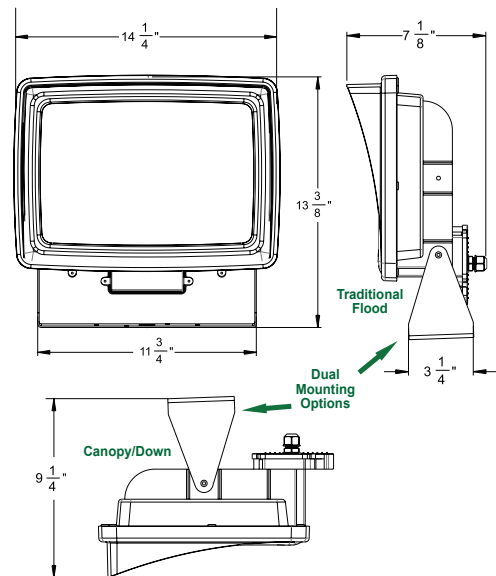
**REPLACES: 400W MH LAMP**

**RATED LIFE = 50k + Hours**



### FEATURES

- Replaces: 400 Watt Metal Halide fixture in Flood and/or Downlight applications
- Dual trunnion mount for traditional Flood applications or as canopy/down light/high bay
- Crisp cool white, low draw, energy efficient light, best for security cameras and visual clarity
- Long life 50,000+ hours LED's to reduce maintenance cost/replacements
- UV-Stable, high impact, vibration and shock resistant tempered glass lens
- Powder coated, heat sink cast aluminum housing with steel 180° swivel universal mounting bracket
- Silicone seals for durability and wide-range LED operating temperature +120F to -20F
- Chromatically stable 5700K, LM 80 Tested, ETL Listed IP-65 wet location (non-submersive)
- Optional: Rock Guard, Slip Fitter and wide range mounting accessories available.
- Suggested Mounting Height: 20' - 25'
- Weight: 16 lbs.



**ACCESSORIES AVAILABLE**  
on pages 14-15



\*non-submersible



# BLASTER FLOOD LED ACCESSORIES

## ROCK GUARD

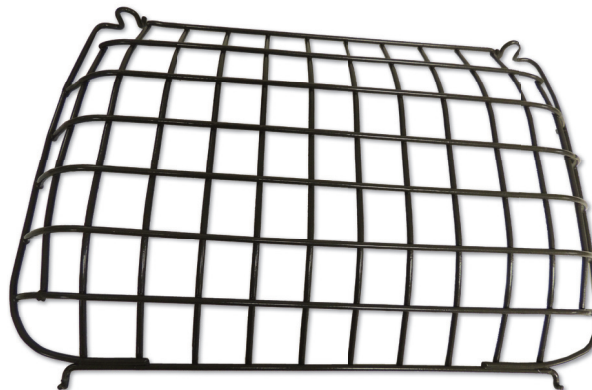
CHIP & FADE-RESISTANT POWDER COATED FINISH IN DARK BRONZE



Rock Guard  
LB-0003BRZ

### Rock Guard

- All metal spot welded construction
- Strong high tensile steel
- Simple, quick and secure installation
- Powder-coated Dark Bronze

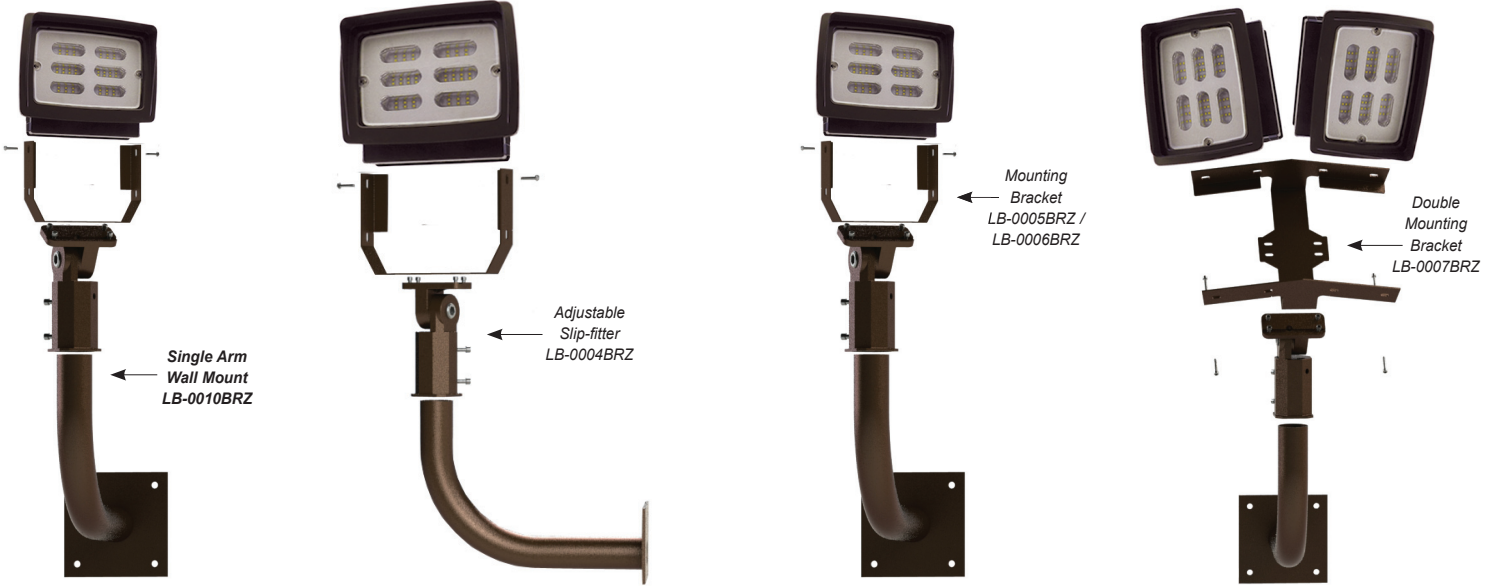


Part#	Description	Color
LB-0003BRZ	Rock Guard for LB100, LB130 & LB160 Blaster Flood Lights	Dark Bronze

# BLASTER FLOOD LED ACCESSORIES

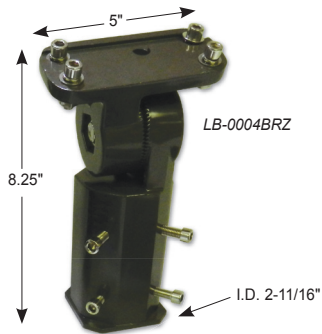
POLE MOUNT | BRACKETS | WALL MOUNT

CHIP & FADE-RESISTANT POWDER COATED FINISH IN DARK BRONZE



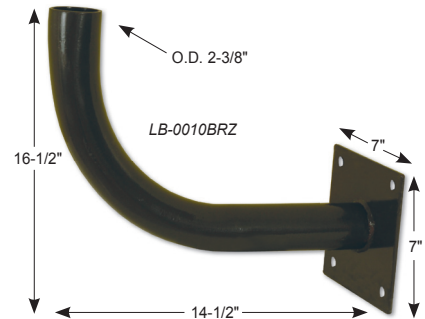
## Slip-Fitter Adjustable Pole Mount

- Hardware included



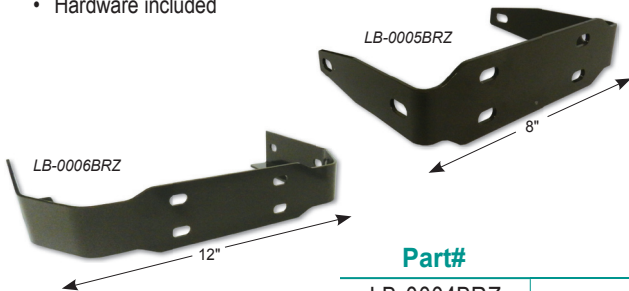
## Single Arm Wall Mount

- Hardware not included



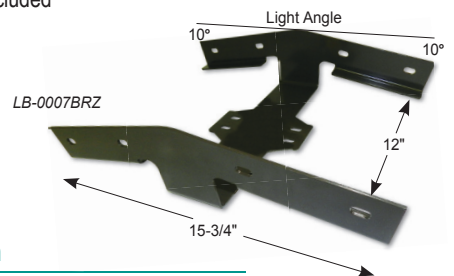
## Mounting Bracket

- Hardware included



## Double Mounting Bracket

- Hardware included



Part#	Description
LB-0004BRZ	Slip-Fitter Adjustable Pole Mount
LB-0005BRZ	Mounting Bracket for LB40N, LB56N, Bronze
LB-0006BRZ	Mounting Bracket for LB100, LB130 & LB160, Bronze
LB-0007BRZ	Double Mounting Bracket for LB100, LB130 & LB160, Bronze
LB-0010BRZ	Single Arm Wall Mount, Bronze

## TERMS & PRICING

- All prices are subject to change without prior notice.
- Invoices are Net 30 days from date of invoice with pre-approved credit accounts

## LEAD TIMES

Lumateq's lead times are based on in-stock product availability and time required for proper packaging to avoid freight damage.

- Orders received by 2:00pm Eastern Time, will ship by the end of the next business day.

## FREIGHT PROGRAM

Full Freight Allowance (FFA) is available on orders that meet the following criteria:

- Meet or exceed a minimum order value.
- Shipment to one location.
- Delivery to anywhere in the continental U.S.
- All freight charges will be added to the invoice if they do not qualify for FFA.
- Delivery can be expedited at customer's request. Additional charges will be applied accordingly.

## DAMAGE, LOSS AND/OR SHORTAGE

- Any visible damage or lost packages noticed at the time of delivery must be communicated to the freight carrier immediately and a claim should be filed. Lumateq recommends adding a written note to the freight bill.
- Lumateq can assist you with the claim filing process by providing the number of packages, shipment details and tracking. We are not able to file a claim with the carrier once the goods have been received and accepted.
- It is important that goods are inspected quickly to discover any hidden damages or shortages. Any additional shortages or damages must be communicated to Customer Service within five (5) days of receipt.

## RETURNED GOODS POLICY

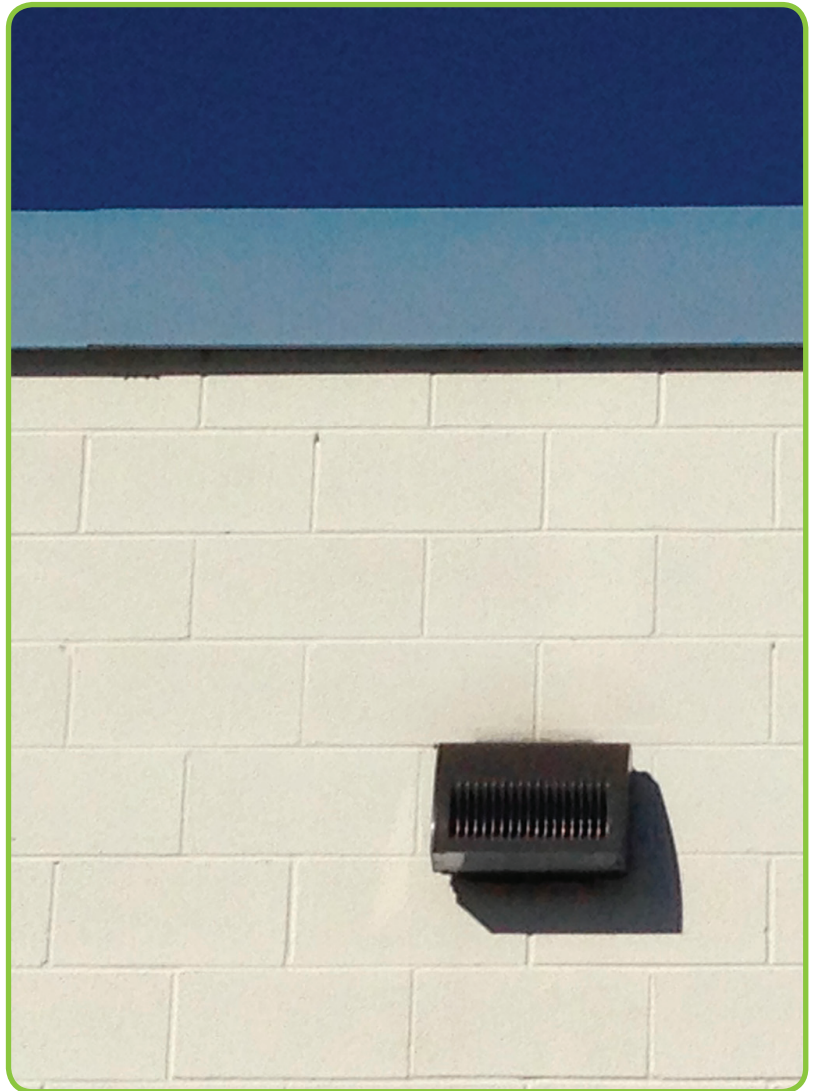
- It is the responsibility of the receiving party to check all materials to ensure form & fitness for the application for which the product was purchased. In the event that material is not fit for application, Lumateq's liability is limited to material cost.
- Once the product is altered or modified in any fashion, Lumateq's liability and warranty ends.
- It is Lumateq's discretion whether a defective product will be repaired or replaced without charge, subject to the performance guarantees stated in Lumateq's warranty. No loss or labor credit will be issued with regards to replacement products under the warranty.
- Lumateq reserves the right to refuse any request for product returns. All returns require prior authorization from Customer Service. Returns without an authorization may be refused and returned to point of origin.
- A copy of the original invoice must accompany all returns.
- Only goods returned in their original packaging and resalable (like New) condition will receive credit.
- An RMA (Returned Materials Authorization) number will be issued and Lumateq will pay return freight and replace the goods if:
  - Product appears to be defective under the performance guarantees stated in Lumateq's warranty.
  - Products shipped in error.
- RMA is good for 30 days from date of Authorization and materials being returned must be received back before the 30 day period. Goods not received within the allowed return timetable will not be credited.
- All non-defective returns must be shipped back freight prepaid and will be subject to a minimum restocking charge. The re-stocking charge is based on the date of original shipment and the date Lumateq receives materials back, 35% for 1-90 days and 50% for 91-180. No returns will be accepted after 180 days from original shipment date.



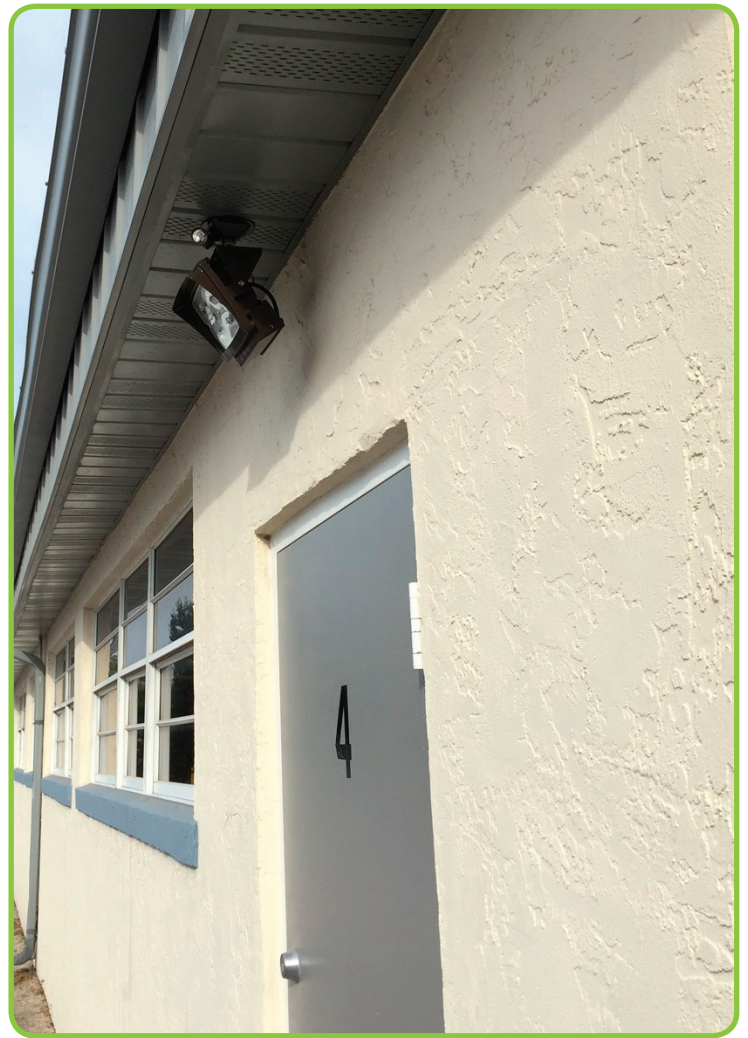
# INDEX

Part Number	Part Description	Unit of Measure	Master Carton Qty	Page #
<b>BLASTER FLOOD LIGHT</b>				
LB40N-BRZ-110-00	45-Watt Blaster Flood Light, Bronze, 100~277 Volt AC	EA	8	9
LB56N-BRZ-110-00	56-Watt Blaster Flood Light, Bronze, 100~277 Volt AC	EA	8	10
LB100-BRZ-110-00	100-Watt Blaster Flood Light, Bronze, 100~277 Volt AC	EA	2	11
LB130-BRZ-110-00	130-Watt Blaster Flood Light, Bronze, 110~277 Volt AC	EA	2	12
LB160-BRZ-110-00	160-Watt Blaster Flood Light, Bronze, 110~277 Volt AC	EA	2	13
<b>WALL PACK LIGHT (CUT-OFF &amp; FULL)</b>				
LC40-BRZ-110-00	40-Watt Cut Off Wall Pack, Bronze, 110~277 Volt AC	EA	2	4
LC52-BRZ-110-00	52-Watt Cut Off Wall Pack, Bronze, 110~277 Volt AC	EA	2	5
LW40-BRZ-110-00	40-Watt Full Wall Pack, Bronze, 110~277 Volt AC	EA	2	6
LW52-BRZ-110-00	52-Watt Full Wall Pack, Bronze, 110~277 Volt AC	EA	2	7
LW96-BRZ-110-00	96-Watt Full Wall Pack, Bronze, 110~277 Volt AC	EA	2	8
<b>ACCESSORIES</b>				
<b>Blaster Flood Light Rock Guard for LB100, LB130, LB160</b>				
LB-0003BRZ	Rock Guard, Bronze	EA	10	14
<b>Blaster Flood Light Wall Mounting Accessories</b>				
LB-0004BRZ	Slip Fitter Adjustable Pole Mount, Bronze	EA	10	15
LB-0005BRZ	Mounting Bracket for LB40N and LB56, Bronze	EA	10	15
LB-0006BRZ	Mounting Bracket for LB100, LB130 and LB160, Bronze	EA	10	15
LB-0007BRZ	Double Mounting Bracket for LB100, LB130 and LB160, Bronze	EA	10	15
LB-0010BRZ	Single Arm Wall Mount, Bronze	EA	1	15











# LUMATEQ

For ordering information, contact  
the Lumateq customer service team at:  
[www.lumateq.com](http://www.lumateq.com)

