

# BLASTER FLOOD LED LIGHT

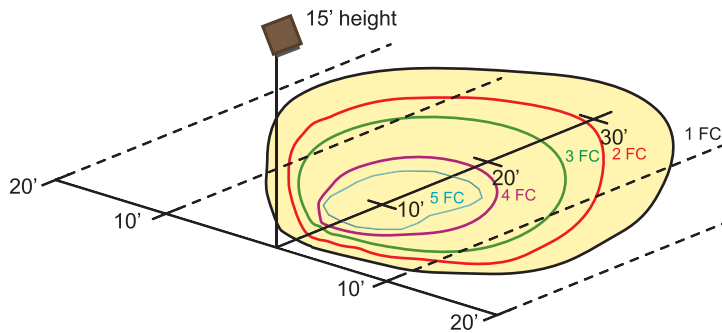
## LF40BZ-110-277 BLASTER FLOOD LED LIGHT, 40-WATT, BRONZE

### SPECIFICATIONS

Maximum Lumens	5,195
Input Voltage (VAC)	110-277V
Input Current Amp (@ 110V)	.38
Input Power (W)	39.42
Input Power Factor	0.99
Efficacy	131.78
Color Rendering Index (CRI)	72
Correlated Color Temperature (CCT)	5000K

### CHARACTERISTICS

Maximum Candela	3,717.06
Maximum Candela Angle	C=180.0 $\gamma=0.0$
Horizontal Beam Angle (50%)	88.8
Vertical Beam Angle (50%)	63.6
Horizontal Field Angle (10%)	131.0
Vertical Field Angle (10%)	110.5
Total Luminaire Watts	40.02



OPTICAL HEIGHT = 15'  
10' BETWEEN AXIS TICK-MARKS  
TILT = 60° FROM NADIR

The following shows the cost of illuminating this fixture an average of 12 hours a day for 365 days a year.

40 Watt x 4,380 YKWH x \$.09/KWH  
1,000

**\$15.77**

Yearly Operating Cost per fixture

Flood Light  
Downlight  
Pole Light  
Up Light  
Wall Pack  
High Box  
Canopy Light

APPLICATION

**LUMENS=5,195**

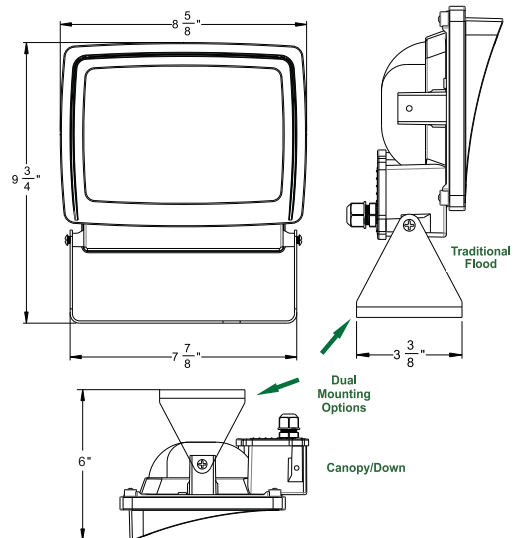
**REPLACES: 175W MH LAMP**

**RATED LIFE = 50k + Hours**



### FEATURES

- Replaces: 175 Watt Metal Halide fixture in Flood and/or Downlight applications
- Dual trunnion mount for traditional Flood applications or as canopy/down light/high bay
- Crisp cool white, low draw, energy efficient light, best for security cameras and visual clarity
- Long life 50,000+ hours LED's to reduce maintenance cost/replacements
- UV-Stable, high impact, vibration and shock resistant tempered glass lens
- Powder coated, heat sink cast aluminum housing with steel 180° swivel universal mounting bracket
- Silicone seals for durability and wide-range LED operating temperature +120F to -20F
- Chromatically stable 5000K, LM 80 Tested, ETL Listed IP-65 wet location (non-submersive)
- Optional: Rock Guard, Slip Fitter and wide range mounting accessories available.
- Suggested Mounting Height: 13' - 16'
- Weight: 4.5 lbs.



**ACCESSORIES AVAILABLE**  
on pages 14-15



\*non-submersible